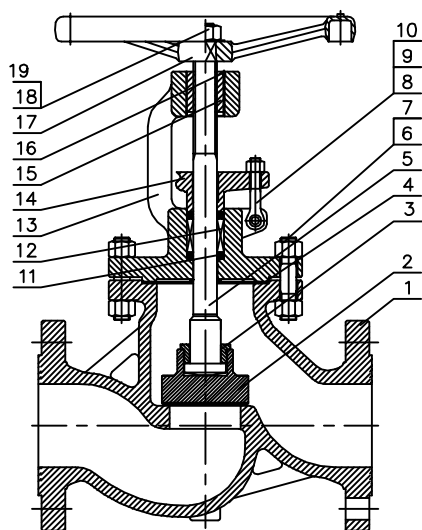


DIN GLOBE VALVE PN63

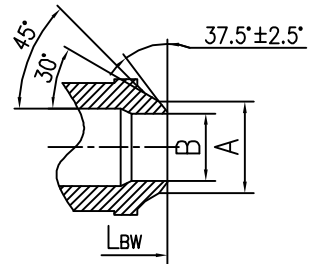
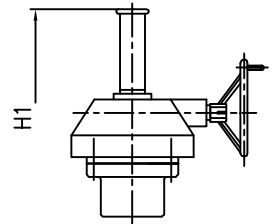
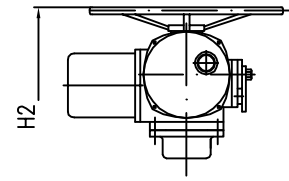
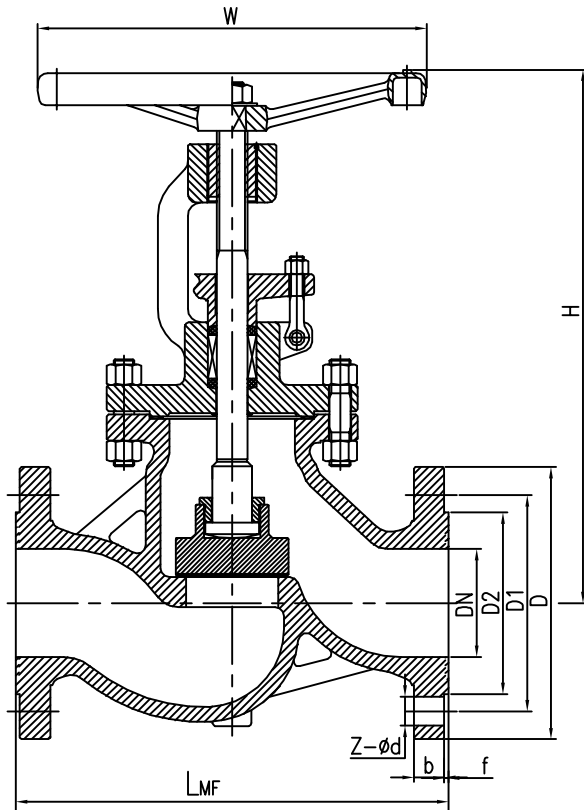


Standard and Specification 标准与规范			
Design standard 设计标准	Face to Face 结构长度	Flange connection 法兰连接	Testing standard 试验与检验
DIN 3356	DIN 3202	DIN2543-2545	DIN 3230

Performance Specification / 性能规范						
PN/ 公称压力(MPa)	Shell test/ 壳体试验(MPa)	Sealing test/ 密封试验(MPa)	Back seal test/ 上游封(MPa)	Gas seal test/ 气密试验(MPa)	Temperature/ 适用温度(℃)	Medium/ 使用介质
6.3	9.5	6.90	6.90	0.6	-29℃~425℃	Water, Steam, Oil, Gas, etc. / 水、蒸气、 油品等

NO./序号	Name/名称	Material/材料					
1	Body/阀体	GS-C25 +13Cr	1.4308	1.4408	CF3	CF3M	LCC+STL
2	Disc/阀瓣	1045+13Cr	1.4301	1.4401	F304L	F316L	1045+STL
3	Disc cover/阀瓣盖	1025	1.4301	1.4401	F304L	F316L	1045
4	Gasket/复合垫片	304+GRAPHITE	304+GRAPHITE	304+GRAPHITE	304+GRAPHITE	304+GRAPHITE	304+GRAPHITE
5	Stem/阀杆	1.4021	1.4301	1.4401	F304L	F316L	1.4401
6	Bolts/双头螺栓	A193 B7	A193 B8	A193 B8	A193 B8	A193 B8	A193 B7
7	Nuts/六角螺母	A194 2H	A194 8	A194 8	A194 8	A194 8	A194 2H
8	Pin/销轴	1.4021	1.4301	1.4301	1.4301	1.4301	1.4021
9	Bolts/活节螺栓	A193 B7	A193 B8	A193 B8	A193 B8	A193 B8	A193 B7
10	Nuts/六角螺母	A194 2H	A194 8	A194 8	A194 8	A194 8	A194 2H
11	Packing/填料	GRAPHITE	GRAPHITE	GRAPHITE	GRAPHITE	GRAPHITE	GRAPHITE
12	Packing/填料	GRAPHITE	GRAPHITE	GRAPHITE	GRAPHITE	GRAPHITE	GRAPHITE
13	Bonnet/阀盖	GS-C25	1.4308	1.4408	CF3	CF3M	LCC
14	Cover/填料压盖	GS-C25	1.4308	1.4408	CF3	CF3M	LCC
15	Nut/阀杆螺母	ZQAL9-4	ZQAL9-4	ZQAL9-4	ZQAL9-4	ZQAL9-4	ZQAL9-4
16	Rivet/紧定螺钉	1025	1025	1025	1025	1025	1025
17	Handwheel/手轮	GGG-40	GGG-40	GGG-40	GGG-40	GGG-40	GGG-40
18	Gasket/垫片	Fe360B	Fe360B	Fe360B	Fe360B	Fe360B	Fe360B
19	Nuts/六角螺母	A194 2H	A194 8	A194 8	A194 8	A194 8	A194 2H

DIN GLOBE VALVE PN63



DIN GLOBE VALVE PN63

DN	LMF	L _{BW}	D(φ)	D1(φ)	D2(φ)	f	b	Z-φd	A	B	H	w(φ)
50	300	300	180	135	87	4	26	4-φ22	60	49	410	240
65	340	340	205	160	109	4	26	8-φ22	75	63	450	240
80	380	380	215	170	120	4	28	8-φ22	91	78	485	300
100	430	430	250	200	149	4.5	30	8-φ26	117	102	540	350
125	500	500	295	240	175	4.5	34	8-φ30	144	128	630	400
150	550	550	345	280	203	4.5	36	8-φ33	172	154	645	450
200	650	650	415	345	259	4.5	42	12-φ36	223	194	815	500
250	775	775	470	400	312	4.5	46	12-φ36	278	243	870	550
300	900	900	530	460	364	4.5	52	16-φ36	329	298	920	600